



Open Frame 3"X5" Universal Input AC/DC Converter

Dual Output 5V/12V 70W ⁽¹⁾



Model UPS70-3002



OUTPUT	Voltage		Current			Ripple & Noise	Regulation (4)	
	Rated	Tolerance	Min	Rated	Max (3)		Load	Line
Main	+5V DC	+/-3.00%	0.5A	4.4A	6.0A	50mV	3.00%	0.50%
	+12 V DC	+/-5.00%	0.0A	4.0A	5.0A	120mV	5.00%	1.00%
Auxiliary (Fan) (LED)	+12V DC	n/a	n/a	0.1A	n/a	n/a	n/a	n/a
	+5 V DC	n/a	n/a	10MA	n/a	n/a	n/a	n/a

INPUT	Min	Nom	Max
Voltage AC	Universal AC		
Frequency	90		260
Inrush Current	47		63
Switching Frequency	At Min 115 VAC Max 230 VAC		
Fusing	20A	40K Hz.	40A
	2A, Slow-blow 115/230 VAC Non-User Serviceable		

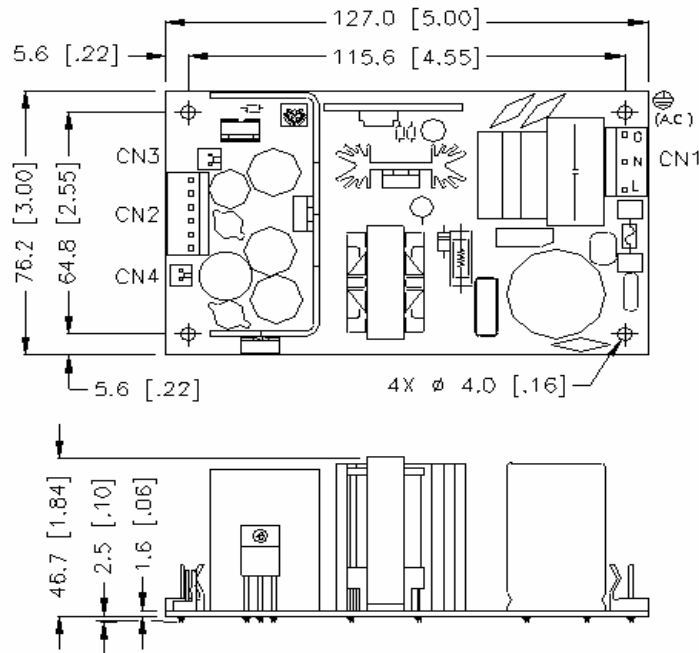
GENERAL SPECIFICATIONS		
Efficiency at full Load 120VAC	68%min at Full Load 120 VAC	
Overvoltage Protection	+5V exceeds 5.8V causes shutdown. Automatic Recovery	
Overload Protection	All outputs protected against short circuit conditions, automatic recovery.	
Environmental		
Temperature coefficient	0.02%/°C, All outputs	
Temperature Range	Operation	0 to 50°C at rated output power. Derates linearly to 50% power at 70°C.
	Storage	-55°C to 85°C
Safety, Regulatory & EMI		
Agency Approvals	UL60950	
	CSA C22.2 NO.60950	
	TUV EN60950	
Hi-Pot	3600VAC input to output for 1 sec.	
EMI	Meets F.C.C part 15 class 'B' conducted.	



Model UPS70-3002

PIN ASSIGNMENTS UPS70-3002					WIDTH	LENGTH	HEIGHT			
CONNECTOR	CN1	CN2	CN3	CN4	UPS70-3002	OUTLINE	inch	3.00	5.00	1.84
	mm	76.2	127.0	46.7						
PIN 1	FG	+12V	+5V	GND		MOUNTING	inch	2.55	4.55	N/A
PIN 2	NC	+12V	GND	+12V			mm	64.8	115.6	N/A
PIN 3	NEUTRAL	GND				SHIPPING SPECIFICATIONS				
PIN 4	NC	GND				MODEL	UNITS PER CARTON	CARTON WEIGHT		
PIN 5	LINE	+5V			UPS70-3002	56.0	19.5Kgs	43.0 Lbs		
PIN 6		+5V								
MOLEX (or equiv)	09-65-2058	09-65-2068	22-04-1021	22-04-1021						
Mating Connector	09-50-1051	09-50-1061	22-01-3027	22-01-3027						

UPS70-3002



NOTES:

UNIT : mm [INCH]

- Total peak power must not exceed the value indicated with each output not exceeding its peak current rating. The power supply may be capable of providing more than the specified continuous and/or peak ratings. Consult a factory Sales Engineer for feasibility.
- Minimum load specified assures output voltage stability for all specified line voltage conditions. Full compliance to the total regulation specification may require additional loading (not to exceed 25% of rated output current). Operation at no load will not damage the power supply.
- Each output can provide its full rated output current, provided total wattage does not exceed nominal (continuous) rating.
- Peak Power is available for 30 seconds maximum with a 10% duty cycle.
- Total regulation includes the combined effects of: a) initial set point of main output of $\pm 1\%$ max; b) line regulation for any input voltage change between 90 & 264 VAC; c) load regulation for a MIN. -100% of rated continuous load change; assumes that the total continuous power rating of the supply is not exceeded. [See Note3]. Performance during peak loading conditions is not included in the figure.
- Specifications are subject to change without notice. AUTEC cannot be held liable for errors or omissions or the consequences thereof.

Autec Power Systems

685 E Cochran St, Simi Valley, CA93065

www.autec.com

Tel: (805)522-0888

Fax: (805)522-8777